

UDC



P

GB 50205—2001

2002—01—10

2002—03—01

Code for acceptance of construction quality of steel structures

GB 50205—2001

:
:
: 2002 3 1

[2002]11

”

” ([2001]87)

GB50205—2001 2002 3 1 4.2.1 4.3.1 4.4.1 5.2.2
5.2.4 6.3.1 8.3.1 10.3.4 11.3.5 12.3.4 14.2.2 14.3.3

GB50205—95

GB50221—95

[2001]87 “

”

GB 5020595

GB 50221—95

”

”

GB 50300

15

9

10

”

”

”

”

(

33

100088)

:

:

:

()

:

| | | |
|------|--------------|----|
| 1 | | 9 |
| 2 | | 10 |
| 2.1 | | 10 |
| 2.2 | | 11 |
| 3 | | 12 |
| 4 | | 14 |
| 4.1 | | 14 |
| 4.2 | | 14 |
| 4.3 | | 15 |
| 4.4 | | 15 |
| 4.5 | | 16 |
| 4.6 | | 17 |
| 4.7 | | 18 |
| 4.8 | | 18 |
| 4.9 | | 18 |
| 4.10 | | 19 |
| 5 | | 20 |
| 5.1 | | 20 |
| 5.2 | | 20 |
| 5.3 | () | 22 |
| 6 | | 24 |
| 6.1 | | 24 |
| 6.2 | | 24 |
| 6.3 | | 24 |
| 7 | | 27 |
| 7.1 | | 27 |
| 7.2 | | 27 |
| 7.3 | | 28 |

| | | | |
|------|---|-------|----|
| 7.3 | | | 28 |
| 7.4 | | | 31 |
| 7.5 | | | 32 |
| 7.6 | | | 33 |
| 8 | | | 36 |
| 8.1 | | | 36 |
| 8.2 | H | | 36 |
| 8.3 | | | 36 |
| 8.4 | | | 37 |
| 8.5 | | | 37 |
| 9 | | | 39 |
| 9.1 | | | 39 |
| 9.2 | | | 39 |
| 10 | | | 40 |
| 10.1 | | | 40 |
| 10.2 | | | 40 |
| 10.3 | | | 42 |
| 11 | | | 46 |
| 11.1 | | | 46 |
| 11.2 | | | 46 |
| 11.3 | | | 48 |
| 12 | | | 52 |
| 12.1 | | | 52 |
| 12.2 | | | 52 |
| 12.3 | | | 53 |
| 13 | | | 56 |
| 13.1 | | | 56 |
| 13.2 | | | 56 |
| 13.3 | | | 57 |
| 14 | | | 59 |
| 14.1 | | | 59 |

| | | |
|------|-------|-----|
| 14.2 | | 59 |
| 14.3 | | 60 |
| 15 | | 62 |
| A | | 64 |
| B | | 66 |
| C | | 71 |
| D | | 81 |
| E | | 82 |
| F | | 88 |
| G | | 90 |
| H | | 91 |
| J | | 92 |
| | | 106 |

1

1.0.1

1.0.2

1.0.3

1.0.4

GB50300

1.0.5

2' t

2.1'

- 2.1.1 part
- 2.1.2 component
- 2.1.3 element
- 2.1.4 the smallest assembled rigid unit
- 2.1.5 intermediate assembled structure
- 2.1.6 set of high strength bolt
- 2.1.7 slip coefficient of faying surface
- 2.1.8 test assembling
- 2.1.9 space rigid unit
- 2.1.10 () stud welding
() ()
()
- 2.1.11 ambient temperature

2.2

2.2.1

P—

P—

I—

T_c—

T_o—

2.2.2

a—

b

d—

e

f—

H—

H_i—

h—

h_e—

l—

R_a— ()

r—

t—

—

2.2.3

K—

3'

3.0.1

3.0.2

3.0.3

:

1

()

2

3

(

)

3.0.4

()

()

GB 50300

3.0.5

:

1

2

80%

()

1.2

3

3.0.6

:

1

2

3.0.7

:

1

()

2

3

4

4

4.1

4.1.1

()

4.1.2

4.2

I

4.2.1

:

:

4.2.2

1

2

3

40mm

Z

4

5

6

:

4.2.3

:

5

:

4.2.4

:

5

:

4.2.5

:

1

1/2

2

GB 8923 C C

3

:

:

4.3

I

4.3.1

:

:

4.3.2

:

:

4.3.3

GB

10433

: 1% 10

:

4.3.4

: 1% 10

:

4.4

I

4.4.1

(

)

()

:
:

4.4.2

B

B

:
:

B

4.4.3

B

B

:
:

B

4.4.4

:
:

5%

3

4.4.5

40m

8.8

HRC21

29 10.9

HRC32 36

:
:

8

10

4.5

I

4.5.1

:

4.5.2 :

: 5% 3
:

4.5.3 :

: 5% 3
:

4.5.4 :

: 5% 3 1.5mm
:

4.6

I

4.6.1 :

:
:

4.6.2 :

: 5% 5
: 10

4.6.3 :

GB196
GB197 6H

: 5% 5
:

4.6.4 :

: 5% 3

:

4.7 t

I

4.7.1

:

4.7.2

:

5%

10

:

4.8

I

4.8.1

:

:

4.8.2

:

:

4.8.3

:

5%

3

:

4.9.2 :
:

4.9.3 :

: 5% 3
:

4.10
I

4.10.1 :

4.10.2 :

5

5.1

5.1.1

5.1.2

5.1.3

24h

5.1.4

5.2

I

5.2.1

JGJ81

:

:

5.2.2

:

:

5.2.3

:

:

5.2.4

GB11345

GB3323

T K Y

JB/T3034.1

JB/T3034.2

JGJ81

5.2.4

:
:

5.2.4

| | | | |
|--------------|----------|--------------|-----------|
| | | | |
| | | B | B |
| | | 100 | 20 |
| | | AB | AB |
| | | 100 | 20 |
| | | (1) | (2) |
| 200mm | | 200mm | |
| 200mm | 1 | | |

5.2.5 T

$t/4$ (5.2.5a b c)

$t/2$ (5.2.5d)

10mm

0 4mm

:
:

10%

3

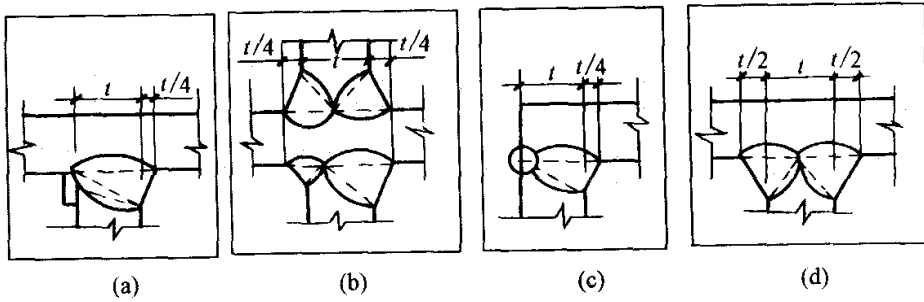


图 5.2.5 焊脚尺寸

5.2.6

: 10% 3
5% 1 1 10
:

5.2.7

1.5 100mm
25mm 1h
:
:

5.2.8

A A.0.1

: 10% 3
5% 1 1 10
:

5.2.9

A A.0.2

: 10% 3
5% 1 1 10
:

5.2.10

: 10% 3
:

5.2.11

:

: 10% 3
5% 5
:

5.3 ()

I

5.3.1

:

:

5.3.2

:

10%

10

1%

1

:

30°

5.3.3

360°

:

1%

10

:

6

6.1

6.1.1

6.1.2

6.2

I

6.2.1

B

GB3098

:
:

8

6.2.2

:
:

1%

3

6.2.3

:
:
:
:

10%

3

2

6.2.4

10%

3

6.3

I

6.3.1

B

: B
:

6.3.2

1h 48h

B

: 10% 10
10% 2
: B

6.3.3

5%

6.3.2

: 10% 10
: B

6.3.4

JGJ82

:
:

6.3.5

2 3 10%

1 4
: 5% 10
:

6.3.6

:
:

6.3.7

1.2d(d)

:
:

6.3.8

1.0d(d)

: 5% 10
:

7.2.3

(mm)

| | |
|--|-------|
| | |
| | ± 3.0 |
| | 1.0 |
| | 2.0 |

7.3

I

7.3.1

-16

-12

900

:

:

7.3.2

900 1000

700 800

:

:

7.3

I

7.3.1

-16

-12

900

:

:

7.3.2

900 1000

700 800

:

:

7.3.3

0.5mm

1/2

:

:

7.3.4

7.3.4

:

10%

3

:

0.5mm

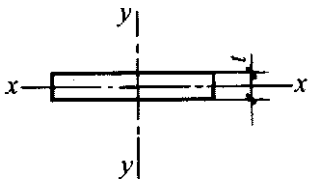
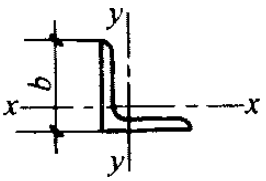
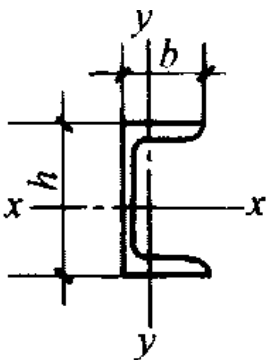
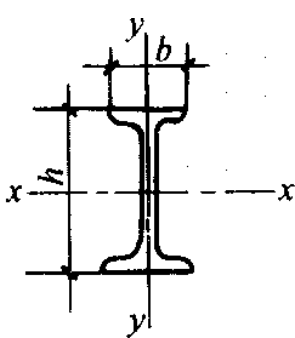
1/2

:

:

7.3.4

(mm)

|  | - | 50 | $\frac{2}{400}$ | 25 | $\frac{2}{200}$ |
|---|-------|-----|-----------------|----|-----------------|
| | - () | 100 | $\frac{2}{800}$ | 50 | $\frac{2}{400}$ |
|  | - | 90 | $\frac{2}{720}$ | 45 | $\frac{2}{360}$ |
|  | - | 50 | $\frac{2}{400}$ | 25 | $\frac{2}{200}$ |
| | - | 90 | $\frac{2}{720}$ | 45 | $\frac{2}{360}$ |
|  | - | 50 | $\frac{2}{400}$ | 25 | $\frac{2}{200}$ |
| | - | 50 | $\frac{2}{400}$ | 25 | $\frac{2}{200}$ |

7.3.5

7.3.5

:

10%

3

:

:

7.4.2

(mm)

| | |
|--|--|
| | |
|--|--|

± 1.0

3000

1a2 1 2a9 1.72 re273.48

7.5.3

: 10%

: 7.5.3

7.5.3

(mm)

| | | | |
|--|-----|--------------|---|
| | | | |
| | 120 | 1.5 | |
| | 120 | 2.5 | |
| | 120 | 0.2 | V |
| | 120 | 0.3 | |
| | | ± 0.2 | |
| | | ± 30 | |
| | | 0.005 | |
| | 120 | +2.0 -1.0 | |
| | 120 | +3.0 -1.5 | |

7.5.4

7.5.4

: 10% 5
: 7.5.4

7.5.4

(mm)

| | | |
|--|------------------|--|
| | | |
| | ± 0.005 ± 2.5 | |
| | 2.5 | |
| | 0.13 1.5 | |
| | 1.0 | |

7.5.5

()

7.5.5

: 10% 5
: 7.5.5

7.5.5

()

(mm)

| | | |
|--|-------|---|
| | | |
| | ± 1.0 | |
| | 0.005 | V |
| | 1.0 | |

7.6

I

7.6.1 A B

(I)

H12

Ra

12.5

μ m

7.6.1-1

C ()

Ra

25μ m

7.6.1-2

:

10%

3

:

7.6.1—1

A B

(mm)

| | | | |
|---|-------|--------------|---------------|
| | | | |
| 1 | 10~18 | 0.00 0.21 | +0.18 0.00 |
| 2 | 18~30 | 0.00 0.21 | +0.21 0.00 |
| 3 | 30~50 | 0.00 0.25 | +0.25 0.00 |

7.6.1-2

C

(mm)

| | |
|--|-------------|
| | |
| | +1.0 0.0 |
| | 2.0 |
| | 0.03 , 2.0 |

7.6.2

7.6.2

:

10%

3

:

7.6.2

(mm)

| | 500 | 501~1200 | 1201~3000 | 3000 |
|---|-------|----------|-----------|-------|
| | ± 1.0 | ± 1.5 | | |
| | ± 1.5 | ± 2.0 | ± 2.5 | ± 3.0 |
| 1 | | | | |
| 2 | | | | |
| 3 | | | | |
| 4 | | | | |

7.6.3

7.6.2

:
:

8`

8.1`

8.1.1

8.1.2

8.2` H

I

8.2.1 H 2 300mm 200mm 600mm

:

:

8.2.2 H C C.0.1

:

10%

3

:

8.3`

I

8.3.1

:

:

8.3.2 C C.0.2

:

10%

3

:

8.3.3 75%

:

10%

10

:

0.3mm

25%

0.8mm

8.3.4

3.0mm

4.0mm

: 10% 3 10%

3

:

8.4

I

8.4.1

8.4.1

: 10% 3

:

8.4.1

(mm)

| | |
|--|-------|
| | |
| | ± 2.0 |
| | ± 0.5 |
| | 0.3 |
| | 1500 |

8.4.2

8.4.2

: 10% 3

:

8.4.2

| | |
|--|---------|
| | |
| | ± 5° |
| | ± 1.0mm |

8.4.3

:

:

8.5

I

8.5.1

8.5.1

:
:

8.5.1

(mm)

| | |
|-----|-----------|
| | |
| () | ± 1.0 |
| | ± 1.0 |
| | ± 3.0 |
| | ± 3.0 |
| | 2.0 |
| () | 1000 10.0 |

8.5.2

C

C.0.3

C.0.9

: 10% 3
: C C.0.3 C.0.9

9

9.1

9.1.1

9.1.2

9.1.3

9.1.4

9.2

I

9.2.1

:

1

1.0mm

85%

2

0.3mm

100%

:

:

9.2.2

D D

:

:

D D

10`

10.1`

10.1.1

10.1.2

10.1.3

10.1.4

10.1.5

10.1.6

10.1.7

10.1.8

10.2`

I

10.2.1

: 10% 3
:

10.2.2

() 10.2.2
: 10% 3
:

10.2.2

()

(mm)

| | | |
|-----|--|-------|
| | | |
| | | ± 3.0 |
| | | 1000 |
| () | | 5.0 |
| | | 10.0 |

10.2.3

10.2.3

:

10%

3

:

10.2.3

(mm)

| | |
|--|------|
| | |
| | 0.0 |
| | 3.0 |
| | 1000 |
| | 20. |

10.2.4

10.2.4

:

10%

4

:

10.2.4

(mm)

| | |
|---|------------|
| | |
| | 0.0 |
| | 5.0 |
| H | ± 5.0 |
| | H 100 10.0 |
| | 10.0 |

10.2.5

()

10.2.5

()

:

10%

3

:

| 10.2.5 | () | (mm) |
|--------|-----|--------------|
| | | |
| | () | +30.0 0.0 |
| | | +30.0 0.0 |

10.3`

I

10.3.1

: 10% 3
:

10.3.2

70%

0.8mm

: 10% 3
: 0.3mm 0.8mm

10.3.3

()

10.3.3

()

(mm)

| | | | |
|--|---------|------|--|
| | | | |
| | 250 | 15.0 | |
| | 30m | 1000 | |
| | 30m 60m | 1000 | |
| | 60m | 50.0 | |

10.3.4

10.3.4

:

:

10.3.4

(mm)

| | | | |
|--|---------------|------|--|
| | | | |
| | <i>H</i> 1000 | 25.0 | |

10.3.5

: 10% 3
:

10.3.6 ()

10mm () 10mm
: 10% 3
:

10.3.7

E E.0.1
: 10% 3
: E E.0.1

10.3.8

DG£ : 10% 3
: E.0.1

~~GD~~¹ 10% 3
: E.0.1

10.3.11**(mm)**

| | |
|--|-------------|
| | |
| | +3.0 0.0 |
| | +3.0 2.0 |

10.3.12

: 10% 3
:

11

11.1

11.1.1

11.1.2

11.1.3

11.1.4

11.1.5

11.1.6

11.1.7

10.L4 10.1.5 10.1.6 10.1. 10.1.8

11.2

I

11.2.1

()

()

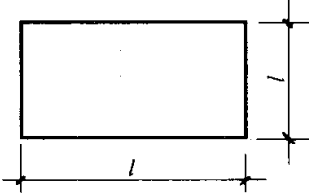
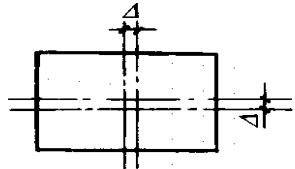
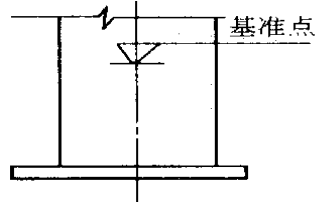
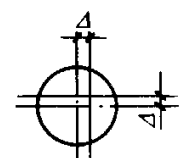
11.2.1

: 10% 3

:

11.2.1

() (mm)

| | | | |
|--|-------|-----|--|
| | 20000 | 3.0 |  |
| | 1.0 | |  |
| | ± 2.0 | |  |
| | 2.0 | |  |

11.2.2

()

10.2.2

: 10% 3
:

11.2.3

10.2.3

: 10% 3
:

11.2.4

10.2.4

: 10% 4
:

11.2.5

()

10.2.5

(

)

: 10% 3
:

11.3

I

11.3.1

: 10% 3
:

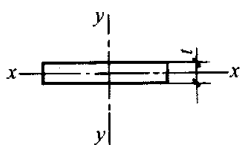
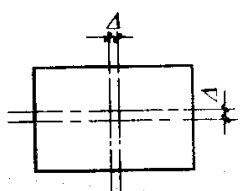

11.3.2

11.3.2

: 10% 3
:

11.3.2

(mm)

| | | |
|--|----------------|--|
| | | |
| | 3.0 |  |
| | 1.0 |  |
| | 1000 10.0 |  |

11.3.3

70%

0.8mm

: 10% 3
 : 0.3mm 0.8mm

11.3.4

10.3.3 ()

: 10% 3
 :

11.3.5

11.3.5

:

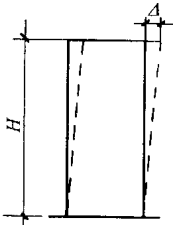
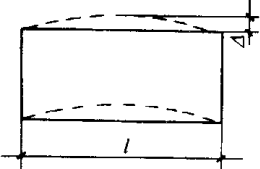
:

()

()

11.3.5

(mm)

| | | |
|--|---|---|
| | | |
| | <p>(H 2500+10.0) 50.0</p> |  |
| | <p>L 1500 25.0</p> |  |

11.3.6

: 10% 3
:

11.3.7

: 10% 3
:

11.3.8

: E E.0.5
: 10% 3
: 3 5m
: E E.0.5

11.3.9

: E E.0.6
: 10% 4
:

11.3.10

10mm () 10mm
: 10% 3
:

11.3.11

: E E.0.2
: 10% 3

11.3.12 : E E.0.2

E E.0.3

: 10% 3

: E E.0.3

11.3.13

GB4053.1

GB4053.2

GB4053.3

GB4053.4

E E.0.4

: 10% 10%

1 5m 1

: E E.0.4

11.3.14

10.3.11

: 10% 3

:

12`

12.1`

12.1.1 ()

12.1.2

12.1.3

12.1.4 10.1.4 10.1.5 10.1.6

12.2`

I

12.2.1

: 10% 4
:

12.2.2

12.2.2

12.2.2

(mm)

| | | |
|--|--|-------|
| | | |
| | | 15.0 |
| | | 0 |
| | | 3.0 |
| | | 1000 |
| | | ± 5.0 |

: 10% 4
:

12.2.3

: 10% 4
:

12.2.4

: 10% 4
:

12.2.5

10.2.5

: 10% 4
:

12.3

I

12.3.1

12.3.1

: 5% 5
:

12 3 1

(mm)

| | | | | |
|--|-------------------|--------------|--------------------------|----------|
| | | | | |
| | | | 2.0 | |
| | | | 1.0 | |
| | | | ₁ 1000 5.0 | |
| | | | ± 2.0 | |
| | | | ± 2.0 | |
| | | | ± 3.0 | |
| | | 24m | 3.0 7.0 | |
| | | 24m | 5.0 10.0 | |
| | | | ± 3.0 | |
| | | | | ± L 5000 |
| | | | | 10.0 |
| | ₁ 2 | ₁ | | |

12.3.2

12.3.2

:
:

12.3.2**(mm)**

| | | |
|-----|--|--------|
| | | |
| 20m | | ± 10.0 |
| | | ± 5.0 |
| 20m | | ± 20.0 |
| | | ± 10.0 |

12.3.3

40m

:

1

1.6

2

:

3

:

12.3.4**1.15**

:

24m**24m**

:

12.3.5

:

5%

10

:

12.3.6

12.3.6

:

5%

:

12.3.6

13'

13.1'

13.1.1

13.1.2

13.1.3

13.2'

I

13.2.1

: 5% 10
: 10

13.2.2

: 5% 10
:

13.2.3

: 5% 10 13.2.3
:

13.2.4

: 5% 10
:

13.2.3

(mm)

| | | | |
|---|-----|------|--------|
| | | | |
| | | | ± 2.0 |
| | | 70 | ± 1.5 |
| | | 70 | ± 2.0 |
| | 1 | 20.0 | |
| 1 | 10m | 0.5m | (10m) |

13.2.5

13.2.5

: 5% 10
:

13.2.5

(mm)

| | | | |
|--|--|----|-----------|
| | | | |
| | | 70 | +10.0 2.0 |
| | | 70 | +6.0 2.0 |
| | | | ± 9.0 |
| | | | 6.0 |
| | | | ± 6.0 |
| | | | ± 3.0 |
| | | | 2° |

13.3

I

13.3.1

:
:

13.3.2

13.3.2

: 10% 10m
:

13.3.2

(mm)

| | | |
|----|------|-----|
| | | |
| 70 | | 375 |
| 70 | 1 10 | 250 |
| | 1 10 | 200 |
| | | 120 |

13.3.3

()

50mm

: 10% 10m
:

13.3.4

: 10% 10m²
:

13.3.5

13.3.5

: : 10% 10m :
20m 1 2
:

13.3.5

(mm)

| | | |
|--------|--|----------|
| | | |
| | | 12.0 |
| | | 800 25.0 |
| | | 6.0 |
| | | 4.0 |
| 1 2 | | 800 25.0 |
| | | 800 25.0 |
| | | 6.0 |

14'

14.1'

14.1.1 ()

14.1.2

14.1.3

14.1.4

5 38 85%
4h

14.2'

I

14.2.1

14.2.1
: 10% 3
:

GB8923

14.2.1

| | |
|--|-------------------|
| | |
| | St2 |
| | Sa2 |
| | Sa2 $\frac{1}{2}$ |

14.2.2

: 150 μ m 125 μ m -25 μ m

-5μ m

: 10% 3
: 5 3 50mm

14.2.3

:
:

14.2.4

70%

: 1% 3 3
: GB1720
GB9286

14.2.5

:
:

14.3

I

14.3.1

: 10% 3
:
GB8923
5 3 50mm

14.3.2

500t

500t

:

14.3.3

80%

85%

:

10%

3

:

CECS24:90

F

14.3.4

0.5mm

1mm

:

10%

3

:

14.3.5

:

:

14.3.6

:

:

15

15.0.1

GB50300

15.0.2

G

15.0.3

H

15.0.4

:

1

2

3

4

15.0.5

:

1

2

3

4

5

6

7

8

9

10

11

12

15.0.6

:

1

GB50300

A

2

J J.0.1 J.0.13

3

GB50300 E

4 ()

GB50300 F

A'

A.0.1

A.0.1

A.0.1

(mm)

| | | |
|---|-------------------------|------------------------|
| | | |
| | | |
| (| 0.2 0.02 1.0 | 0.2 0.04 2.0 |
|) | 100.0 | 25.0 |
| | 0.2 0.02 1.0 | 0.2 0.04 2.0 |
| | | |
| | 0.05 0.5 100.0 10 | 0.1 1.0 |
| | | 5.0 |
| | | |
| | 0.05 0.5 | 0.1 1.0 |
| | 1000.0 | 1 |
| | | 0.2 0.5 , 20.0 |
| | | 50.0 0.4 3.0 2 6 |
| | | |

A.0.2

A.0.2

B

B.0.1

:

GB3098.1

:

25mm/min

(As)

GB3098.1

6

GB3098.1

(As· b)

B.0.2

8

2%

50%

B.0.2

B.0.2

(kN)

| (mm) | 16 | 20 | (22) | 24 |
|------|--------|---------|---------|---------|
| — | 99~120 | 154~186 | 191~231 | 222~270 |
| | 10.1 | 15.7 | 19.5 | 22.7 |

B.0.3

3%

1h 48h

1

:

60°

10%

:

= • •

(B.0.3-1)

T_c — (N· m)

P_c — (kN) B.0.3

d — (mm)

K — B.0.4

o 0.5 c

o :

= 0.065 •

(B.0.3-2)

T_o — (N· m)

P_c — (kN) B.0.3

d — (mm)

2

:1)

2)

10°

3

:

B.0.3

(kN)

| | (mm) | | | | | |
|-------|------|-----|-----|-----|-----|-----|
| | M16 | M20 | M22 | M24 | M27 | M30 |
| 8.8s | 75 | 120 | 150 | 170 | 225 | 275 |
| 10.9s | 110 | 170 | 210 | 250 | 320 | 390 |

B.0.4

8

2%

P

T

K

$$= \frac{\quad}{\quad}$$

(B.0.4)

T— (N· m)

d— (mm)

P— (kN)

B.0.4

B.0.4

(kN)

| | (mm) | M16 | M20 | M22 | M24 | M27 | M30 |
|---|-------|--------|---------|---------|---------|---------|---------|
| p | 10.9s | 93~113 | 142~177 | 175~215 | 206~250 | 265~324 | 325~390 |

1

()

2000t

2000t

(B.0.5)

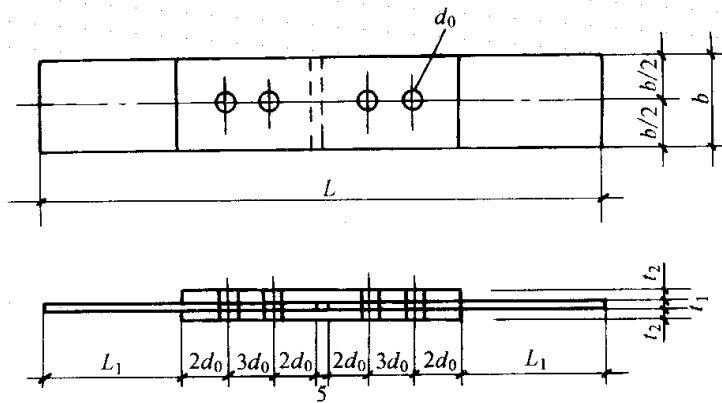


图 B.0.5 抗滑移系数拼接试件的形式和尺寸

t1 t2

b

B.0.5

L1

B.0.5

(mm)

| | | | | | | |
|--|-----|-----|-----|-----|-----|-----|
| | 16 | 20 | 22 | 24 | 27 | 30 |
| | 100 | 100 | 105 | 110 | 120 | 120 |

2

1%

2%

:

50%

:

1)

$$0.95P \quad 1.05P(P \quad)$$

2)

()

10%

1min

3 5kN/s

Nv

:

1)

2)

3)X—Y

4)

" "

Nv

P

$$\mu = \frac{\quad}{\sum_{i=1} \quad} \quad (B.0.5)$$

N_v — (kN)

n_f — $n_f=2$

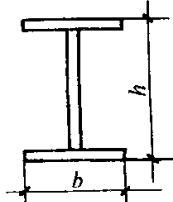
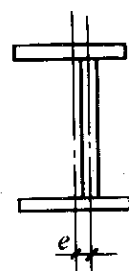
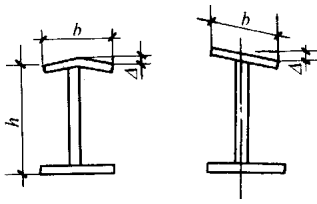
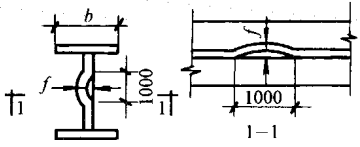
$$\sum_{i=1} \quad - \quad (\quad) \quad (\quad)$$

(kN)

m — $m=2$

C

C.0.1 **H** **C.0.1**
C.0.1 **H** **(mm)**

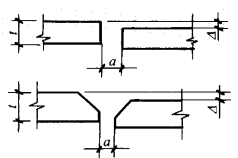
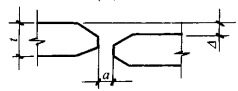
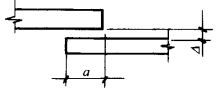
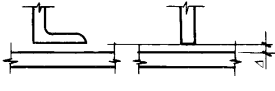
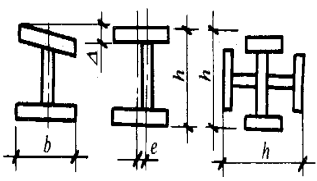
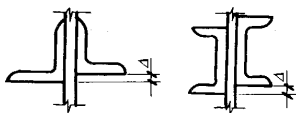
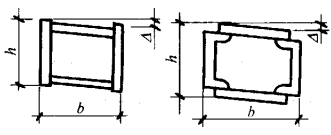
| | | | |
|----------|---------------|---------------|--|
| | 500 | ± 2.0 |  |
| | 500 1000 | ± 3.0 | |
| | 1000 | ± 4.0 | |
| | | ± 3.0 | |
| | | 2.0 |  |
| | | 100 3.0 |  |
| () | | 1000, 10.0 | |
| | | h 250 5.0 | |
| | 14 | 3.0 |  |
| | 14 | 2.0 | |

C.0.2

C.0.2

C.0.2

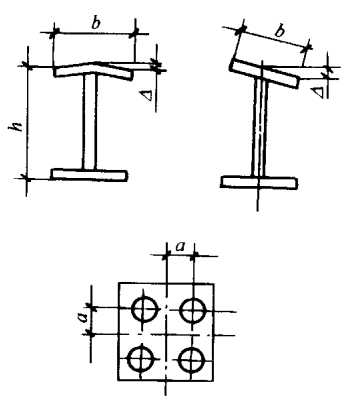
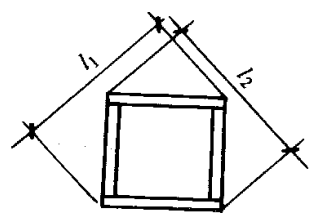
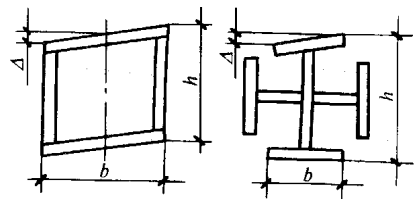
(mm)

| | | | |
|--|---|--------------|--|
| | | | |
| | | 10 3.0 |  |
| | | ± 1.0 |  |
| | | ± 5.0 |  |
| | | 1.5 |  |
| | | ± 2.0 |  |
| | | b 100 3.0 | |
| | | ± 2.0 | |
| | | 1.0 |  |
| | | 2.0 | |
| | h | ± 2.0 |  |
| | b | ± 2.0 | |
| | | /200 3.0 | |

C.0.3

C.0.3

C.0.4

| | | | |
|-------------|--|---------|--|
| | | | |
| | | 1.5 |  |
| | | 100 | |
| | | 5.0 | |
| | | 3.0 | |
| | | 3.0 |  |
| | | () 150 | |
| የሞላላ | | 5.0 |  |

ጠየረ

C.0.5

(mm)

| | | | | |
|--|------|----------------------------|----|--|
| | | 0 5.0 | | |
| | | ± 1 2500 ± 10.0 | | |
| | 2000 | ± 2.0 | | |
| | 2000 | ± 3.0 | | |
| | | \pm 5000 | | |
| | | 10.0 -5.0 | | |
| | | 2000 10.0 | | |
| | | /250 10.0 | | |
| | 14 | 5.0 | 1m | |
| | 14 | 4.0 | | |

C.0.5

C.0.6

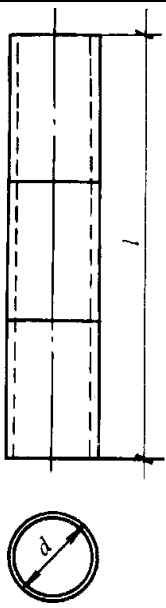
(mm)

| | | | | |
|-----|-----|--------------|--|--|
| | | | | |
| | 24m | +3.0 7.0 | | |
| | 24m | +5.0 10.0 | | |
| | | ± 10.0 | | |
| | | ± 5000 | | |
| | | 10.0 5.0 | | |
| () | | 1000 | | |
| | | ± 1.0 | | |
| | | ± 5.0 | | |

C.0.7

C.0.7

(mm)

| | | | |
|--|-------|-----|---|
| | | |  |
| | ± 500 | | |
| | ± 5.0 | | |
| | ± 3.0 | | |
| | 500 | 5.0 | |
| | 500 | 3.0 | |
| | 1500 | 5.0 | |
| | 10 | 3.0 | |

C.0.8

C.0.8

C.0.8

(mm)

| | | |
|---|-------|------|
| | | |
| | ± 4.0 | |
| 1 | ± 3.0 | |
| | 1000 | 10.0 |
| | +5.0 | |
| | 2.0 | |

C.0.9

C.0.9

C.0.9

(mm)

| | | | |
|---------------|------------|----|--|
| | | | |
| | ± 5.0 | | |
| $ l_1 - l_2 $ | 6.0 | | |
| | ± 3.0 | | |
| | 5.0 | | |
| 1m | 6.0 | 1m | |
| | ± 5.0 | | |
| | ± 5.0 | | |
| | ± 3.0 | | |
| | /1000 | | |
| () | ± 5.0 | | |
| | ± 5.0 | | |
| | ± 10.0 | | |

D'

D.0.1

D

D

(mm)

| | | | |
|--|--|--------------|--|
| | | | |
| | | ± 5.0 | |
| | | 1500 10.0 | |
| | | 2.0 | |
| | | 200 5.0 | |
| | | ± 2.0 | |
| | | +5.0 10.0 | |
| | | 2.0 | |

± 1 5000 f53 15.84aed052182fb4d3637c704cf 3

E

E.0.1

E.0.1

E.0.1

(mm)

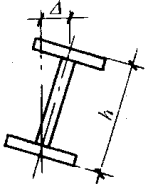
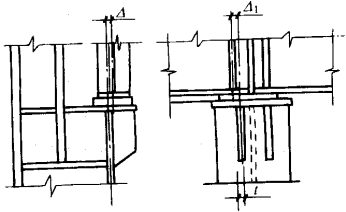
| | | | | |
|--|-----|---------------|--|--|
| | | | | |
| | | 5.0 | | |
| | | +3.0 -5.0 | | |
| | | +5.0 -8.0 | | |
| | | /1200 15.0 | | |
| | 10m | /1000 | | |
| | 10m | /1000 25.0 | | |
| | | /1000 10.0 | | |
| | | 35.0 | | |

E.0.2

E.0.2

E.0.2

(mm)

| | | | |
|---|------|--|--|
| | | | |
| | 500 |  | |
| | 1500 | | |
| | 10.0 | | |
| | 10.0 | | |
| | 5.0 |  | |
| | 5.0 | | |
| | 2 | | |
| 1 | | | |

E.0.3**E.0.3****E.0.3****(mm)**

| | | | |
|---|--|-----------|------|
| | | | |
| | | 10.0 | |
| | | 1000 | 10.0 |
| | | 1000 | 15.0 |
| | | 250 | 15.0 |
| | | ± 5.0 | |
| | | 750 | 12.0 |
| | | 750 | 10.0 |
| 1 | | | |
| 2 | | | |
| 3 | | | |

E.0.4**E.0.4****E.0.4****(mm)**

| | | | |
|--|--|------------|------|
| | | | |
| | | ± 15.0 | |
| | | 1000 | 20.0 |
| | | 1000 | 15.0 |
| | | 1000 | 10.0 |
| | | 250 | 15.0 |
| | | /1000 | 15.0 |
| | | ± 15.0 | |
| | | ± 15.0 | |

E.0.5**E.0.5**

E.0.6

(mm)

| | | |
|-----|----------------|--|
| | | |
| | \pm (h z w) | |
| | 1000 30.0 | |
| | 1000 30.0 | |
| 1 h | | |
| 2 z | | |
| 3 w | | |

F'

F.0.1 :
()

30mm

(F.0.1)

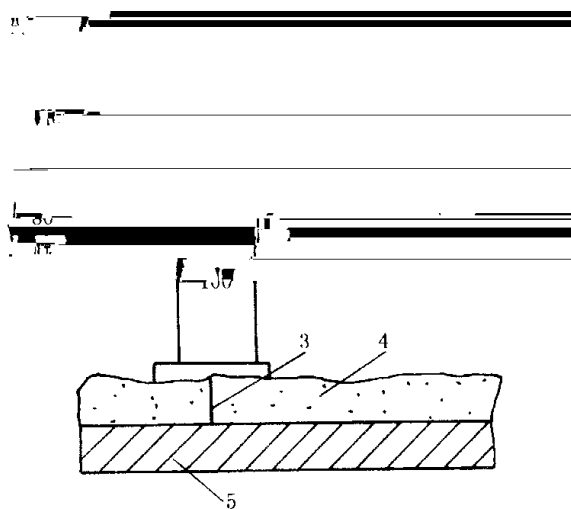


图 F.0.1 测厚度示意图

1—标尺;2—刻度;3—测针;4—防火涂层;5—钢基材

F.0.2 :

1

2

F.0.2

3m

G

G.0.1

()

G

G

()

| | | | | |
|---|--------------------------|---|--------------------------------|--|
| | | | | |
| 1 | (1) (2) (3) (4) | 4.4.2 4.4.3 4.2.2 4.3.2 6.3.1 12.3.3 | | |
| 2 | (1) (2) (3) | 3 3 5.2.6 5.2.8 5.2.9 5.2.9 | 5.2.4 | |
| 3 | (1) (2) (3) | 3 3 6.3.2 6.3.3 6.3.8 | 6.3.2 6.3.3 6.3.8 | |
| 4 | (1) (2) (3) | 10 3 | | |
| 5 | (1) () (2) (3) | 3 10.3.3 11.3.2 11.3.4 12.3.4 | 10.3.3 11.3.2 11.3.4 12.3.4 | |
| 6 | (1) (2) | 10.3.4 11.3.5 | 10.3.4 11.3.5 | |

Н

Н.0.1

()

Н

Н

()

| | | | | |
|---|--|----|-------------------------|--|
| | | | | |
| 1 | | 3 | 14.2.3 | |
| 2 | | 3 | 14.3.4 14.3.5 14.3.6 | |
| 3 | | 3 | 13.3.4 | |
| 4 | | 10 | | |

J

J.0.1

()

J.0.1

J.0.2

()

| | | | | |
|---|--|-------|--|--|
| | | | | |
| | | | | |
| | | | | |
| | | | | |
| | | () | | |
| 1 | | 4.3.1 | | |
| 2 | | 4.3.2 | | |
| 3 | | 5.3.1 | | |
| 4 | | 5.3.2 | | |
| | | | | |
| | | () | | |

1

J.0.3

()

| | | | |
|--|--|--|--|
| | | | |
| | | | |
| | | | |

J.0.4

()

| | | | | |
|-----|--|-------|-----|--|
| | | | | |
| | | | | |
| | | | | |
| | | | | |
| | | () | | |
| 1 | | 4.4.1 | | |
| 2 | | 4.4.2 | | |
| | | 4.4.3 | | |
| 3 | | 6.3.1 | | |
| 4 | | 6.3.2 | | |
| | | 6.3.3 | | |
| | | | | |
| | | () | | |
| 1 | | 4.4.4 | | |
| 2 | | 4.4.5 | | |
| 3 | | 6.3.4 | | |
| 4 | | 6.3.5 | | |
| 5 | | 6.3.6 | | |
| 6 | | 6.3.7 | | |
| 7 | | 6.3.8 | | |
| | | | | |
| | | | | |
| | | | | |
| () | | | () | |

J.0.5

()

J.0.5

J.0.5 ()

| | | | | |
|---|-----|----------------|-----|--|
| | | | | |
| | | | | |
| | | | | |
| | | | () | |
| | () | | | |
| 1 | | 4.2.1 | | |
| 2 | | 4.2.2 | | |
| 3 | | 7.2.1 | | |
| 4 | | 7.2.1 7.3.2 | | |
| 5 | | 7.4.1 | | |
| 6 | | 7.5.1 7.5.2 | | |
| 7 | | 7.6.1 | | |
| | | | | |

J.0.6

()

| | | | | |
|---|-----|-------|-----|--|
| | | | | |
| | | | | |
| | | | | |
| | | | () | |
| | () | 8.3.1 | | |
| 1 | () | 8.3.1 | | |
| 2 | | 8.4.1 | | |
| 3 | | 8.5.1 | | |
| | | | | |
| | | | () | |
| | () | | | |
| 1 | H | 8.2.1 | | |
| 2 | H | 8.2.2 | | |
| 3 | | 8.3.2 | | |
| 4 | | 8.3.3 | | |
| 5 | | 8.3.4 | | |
| 6 | | 8.4.2 | | |
| 7 | | 8.4.3 | | |

8

J.0.7

()

J.0.8

()

| | | | | |
|---|--|--------------------------------------|-----|--|
| | | | | |
| | | | | |
| | | | | |
| | | | | |
| | | () | | |
| 1 | | 10.2.1 10.2.2 10.2.3 10.2.4 | | |
| 2 | | 10.3.1 | | |
| 3 | | 10.3.2 | | |
| 4 | | 10.3.3 | | |
| 5 | | 10.3.4 | | |
| | | | | |
| | | () | | |
| 1 | | 10.2.5 | | |
| 2 | | 10.3.5 | | |
| 3 | | 10.3.6 | | |
| 4 | | 10.3.7 | | |
| 5 | | 10.3.8 | | |
| 6 | | 10.3.9 | | |
| 7 | | 10.3.10 | | |
| 8 | | 10.3.11 | | |
| 9 | | 10.3.12 | | |
| | | | | |
| | | | | |
| | | () | | |
| | | | () | |

J.0.9

()

J.0.9

J.0.9

()

| | | | | |
|---|--|--------------------------------------|-----|--|
| | | | | |
| | | | | |
| | | | | |
| | | | | |
| | | () | () | |
| 1 | | 11.2.1 11.2.2 11.2.3 11.2.4 | | |
| 2 | | 11.3.1 | | |
| 3 | | 11.3.2 | | |
| 4 | | 11.3.3 | | |
| 5 | | 11.3.4 | | |
| 6 | | 11.3.5 | | |
| | | | | |

h

()

J.0.10

()

| | | | | |
|---|--|------------------|--|--|
| | | | | |
| | | | | |
| | | | | |
| | | | | |
| | | () | | |
| | | () | | |
| 1 | | 4.5.1 4.5.2 | | |
| 2 | | 4.6.1 4.6.2 | | |
| 3 | | 4.7.1 4.7.2 | | |
| 4 | | 4.10.1 | | |
| 5 | | 12.2.1 12.2.2 | | |
| 6 | | 12.2.3 12.2.4 | | |
| 7 | | 12.3.1 12.3.2 | | |
| 8 | | 12.3.3 | | |
| 9 | | 12.3.4 | | |
| | | | | |
| | | () | | |
| 1 | | 4.5.3 4.5.4 | | |
| 2 | | 4.6.4 | | |
| 3 | | 4.6.3 | | |
| 4 | | 12.2.5 | | |
| 5 | | 12.3.5 | | |
| 6 | | 12.3.6 | | |
| | | | | |
| | | | | |
| | | () | | |
| | | | | |
| | | () | | |

J.0.11

()

J.0.11

J.0.11 ()

| | | | | | |
|-----|--|------------------|--|-----|--|
| | | | | | |
| | | | | | |
| | | | | | |
| | | () | | () | |
| 1 | | 4.8.1 4.8.2 | | | |
| 2 | | 13.2.1 | | | |
| 3 | | 13.2.2 | | | |
| 4 | | 13.3.1 | | | |
| 5 | | 12.3.2 | | | |
| 6 | | 13.3.3 | | | |
| | | | | | |
| | | () | | () | |
| 1 | | 4.8.3 | | | |
| 2 | | 13.2.3 13.2.5 | | | |
| 3 | | 13.2.4 | | | |
| 4 | | 13.3.4 | | | |
| 5 | | 13.3.5 | | | |
| | | | | | |
| | | | | | |
| () | | () | | | |

J.0.12 ()

J.0.12

J.0.12

()

| | | | |
|--|--|--|--|
| | | | |
| | | | |
| | | | |

1